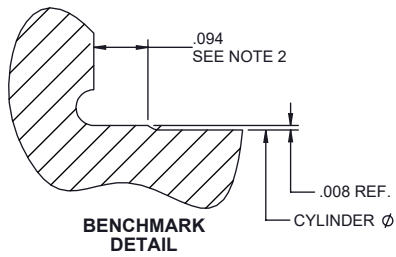
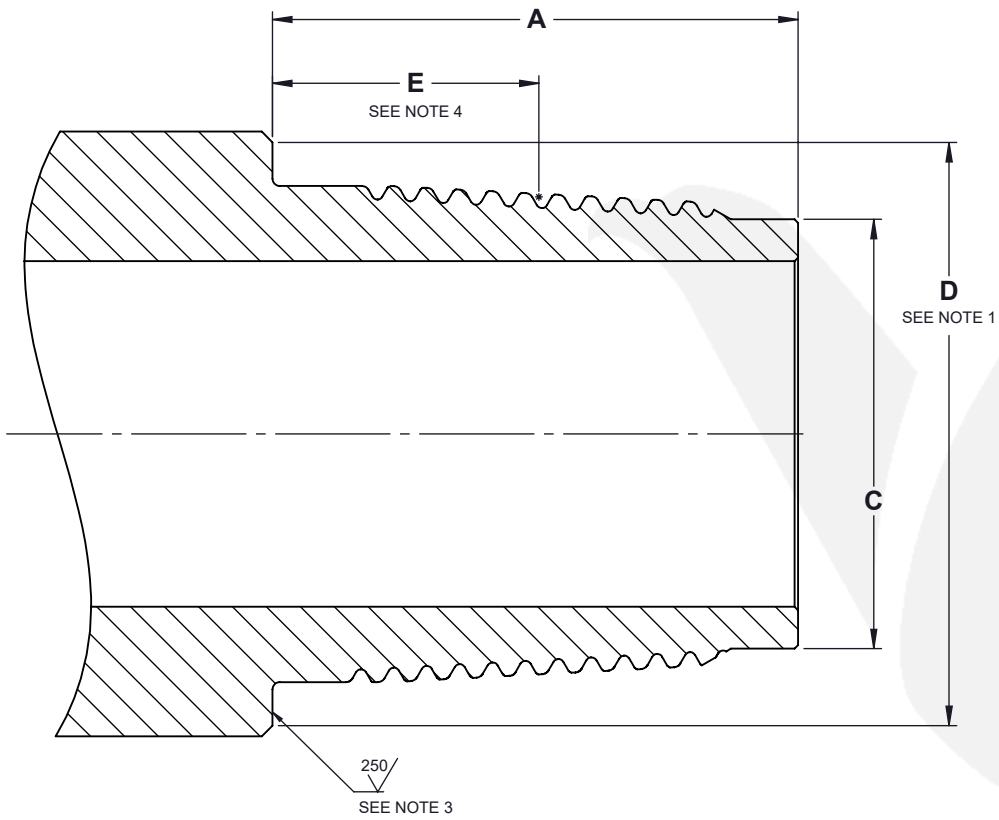


THREADFORM PROPERTIES

LEAD	.28571 in (3.5 TPI)
	+ .006 OVER 2 INCHES
TAPER	1.250 in/ft (.1042 in/in)



DLC PIN FIELD INSPECTION DIMENSIONS								
CONNECTION	A PIN LENGTH		C PIN NOSE		D BEVEL DIA.		E ROOT DAMAGE REGION	OD MIN
	MIN	MAX	MIN	MAX	MIN	MAX	DISTANCE	SEE NOTE 5
DLC 425	4.554	4.565	3.712	3.759	5.048	5.268	2.313	4.914
DLC 544	5.116	5.127	4.846	4.893	6.381	6.601	2.625	6.232



- NOTES:**
- MIN BEVEL CHAMFER OF 1/32" X 45° TO BE PRESENT FOR REDUCED OD AND/OR REFACED CONNECTION
 - .094 IS FOR NEW CONDITION, MAY BE .188 MAX AFTER REFACING
 - SURFACE FINISH APPLIES DURING REFACING OPERATIONS
 - DAMAGE TO THREAD ROOTS NOT PERMITTED IN THIS REGION
 - MIN OD FOR REFERENCE BASED ON MIN BOX COUNTERBORE WALL THICKNESS

1	CONVERTED TO LIMIT TOLERANCING	12/11/2025	SC
REV.	DESCRIPTION	DATE	REV. BY
REVISIONS			

	TITLE				
	DLC PIN FIELD INSPECTION				SCALE NONE
	DIMENSIONS IN INCHES UNLESS OTHERWISE SPECIFIED DRAWN SC MAY 3/23 CHECKED GT MAY 8/23				SHEET 1 OF 1
DRAWING NO. T000140			REVISION 1		